

LGMG

SR1418E

ELECTRIC RT SCISSOR LIFT

- High capacity, large platform with compact design maximizes productivity.
- Battery powered, zero emission and quiet drive mean this machine is environmentally friendly.
- Equipped with oscillating axles that provide excellent performance in soft and rough terrain conditions.
- Hydraulic outriggers deliver a better solution on uneven ground.
- Intelligent self-diagnostic system for quick troubleshooting.



LGMG Electric RT Scissor Lift

SPECIFICATIONS

Models	SR1418E (SR4669E)	
Measurements	Metric	US
Work Height Max.	15.8m	51'10"
A Platform Height - Raised	13.8m	45'3"
B Platform Length	2.79m	9'2"
C Platform Width	1.6m	5'3"
D Overall Length (with ladder)	3.73m	12'3"
E Overall Width	1.84m	6'
F Overall Height - Rails up	2.9m	9'6"
Overall Height - Rails down	2.24m	7'4"
G Extension Deck	1.5m	4'11"
H Wheelbase	2.29m	7'6"
Ground Clearance-Center	0.23m	9"

Productivity

Max. Platform Occupancy	2(in) / 2(out)	
Platform Capacity	365kg	805 lbs
Platform Capacity - Extension	140kg	309 lbs
Drive Height	Full Height	
Gradeability - Stowed	35%	35%
Turning Radius - Outside	4.75m	15'7"
Raise/Lower Speed	80±2s/60±2s	
Brakes	Rear-wheel Brake	
Tires Type	Solid Foam-filled	
Tires Size	663x283mm	26"x11"

Power

Power Source	48V DC 390Ah	
Fuel Tank Capacity	/	

Hydraulic System

Hydraulic Oil Volume	50L	13.2 gal
----------------------	-----	----------

Weight

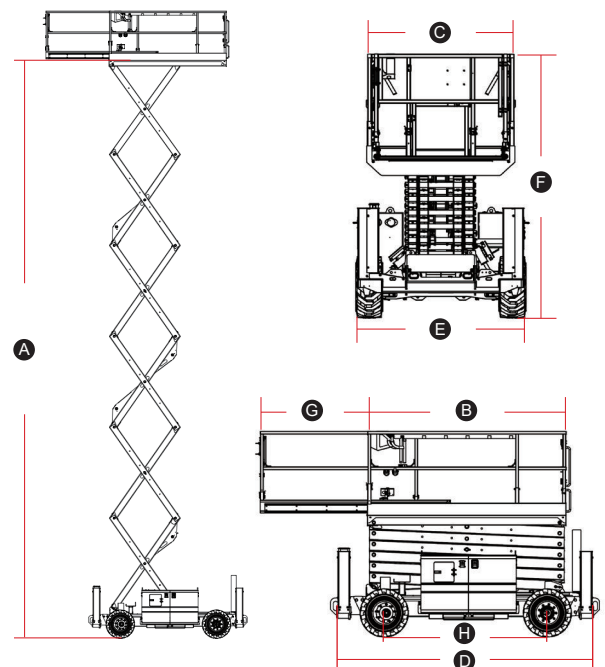
Machine Weight with Outriggers (CE/ANSI)	6260kg	13800 lbs
--	--------	-----------

STANDARD FEATURES

Proportional control	Descent alarm with flashing beacon
Foldable guardrails	Tilt alarm with lift cut-out
Self-lock entry gate	On-board diagnostic system
Full-height drive	Rear-wheel drive and break
Oscillating axle	Overload sensing system
Horn/Hour meter	Auto-leveling outriggers

OPTIONAL

AC power to platform	Platform anti-collision device
Solid tires	Solid non-marking tires
Foam-filled tires	Maintenance-free battery
Lithium battery	GPS



Please contact LGMG or a local dealer for more details.

LGMG reserves the right to change technical data without prior notice. All photos and pictures in this brochure are for promotional purposes only. This brochure comes into effect in September, 2022.

LINGONG HEAVY MACHINERY CO., LTD.

Address: No. 2676, Kejia Road, Jinan, Shandong, China
Email: sales@lmgm.com.cn Tel: +86 531 6787 9283

LGMG Europe B.V.

Address: Laanweg 16 3208LC Spijkenisse Rotterdam, The Netherlands
Email: sales@lmgmeurope.com Tel: +31 850 642 777

LGMG North America Inc.

Address: 1445 Sheffler Dr, Chambersburg, PA. 17201, USA
Email: sales@lmgmna.com Tel: +1 833 288 5464

www.lmgmglifts.com



LGMG
RELIABILITY IN ACTION