



HYDRAULIC MOTOR DRIVE SCISSOR LIFT

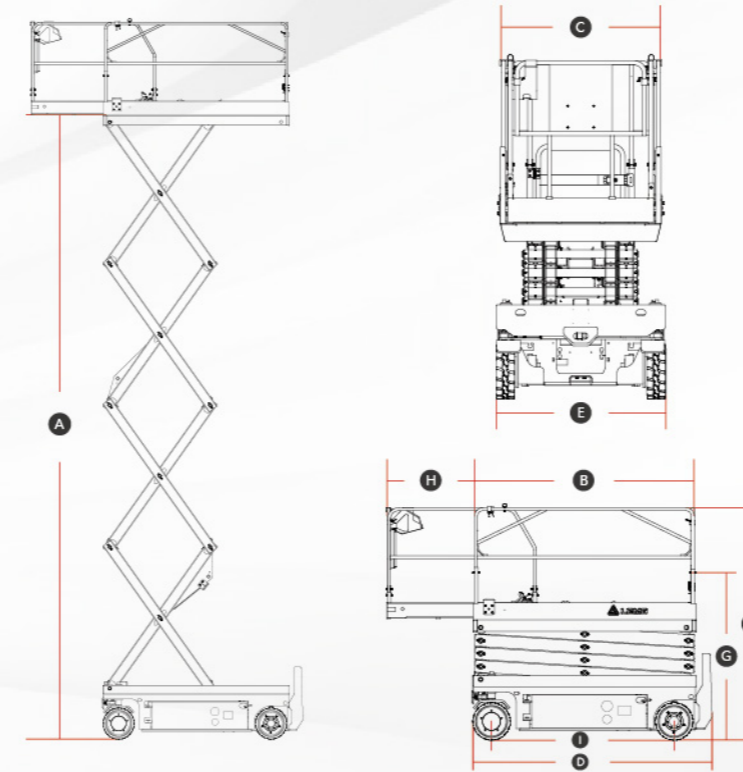


MODELS		S0607II (S1932II)		S0608II		S0808II (S2632II)		S0812II (S2646II)		S1012II (S3246II)		S1212II (S4046II)		S1413II (S4650II)			
Measurements		Metric	US	Metric	Metric	US	Metric	US	Metric	US	Metric	US	Metric	US	Metric	US	
Work Height Max.	(m/ft)	7.8	25.6	7.9	9.8/8	32.2/26.2	10	32.8	12	39.4	14/9.5	46/31.17	15.8/10	51.8/32.8			
Ⓐ Platform Height-Raised	(m/ft)	5.8	19	5.9	7.8/6	25.6/19.7	8	26.2	10	32.8	12/7.5	39.4/24.6	13.8/8	45.3/26.2			
Ⓑ Platform Length	(m/ft)	1.64	5.36	2.26	2.26	7.4	2.26	7.4	2.26	7.4	2.26	7.4	2.64	8.7			
Ⓒ Platform Width	(m/ft)	0.73	2.4	0.79	0.79	2.59	1.12	3.67	1.12	3.67	1.12	3.67	1.12	3.67			
Ⓓ Overall Length	(m/ft)	1.86/1.77	6.1/5.8	2.44	2.44	8	2.49	8.17	2.49	8.17	2.49	8.17	2.8	9.2			
Ⓔ Overall Width	(m/ft)	0.79	2.59	0.83	0.83	2.7	1.18	3.87	1.18	3.87	1.18	3.87	1.3	4.3			
Ⓚ Overall Height-Guardrails Up	(m/ft)	2.16	7.07	2.15	2.28	7.48	2.36	7.74	2.49	8.17	2.63	8.63	2.74	9			
Ⓛ Overall Height-Guardrails Down	(m/ft)	1.81	5.93	1.79	1.9	6.23	1.68	5.51	1.71	5.2	1.84	6.04	1.94	6.4			
Ⓜ Extension Deck	(m/ft)	0.9	3	0.9	0.9	3	0.9	3	0.9	3	0.9	3	0.9	3			
Ⓝ Wheelbase	(m/ft)	1.35	4.43	1.85	1.85	6.08	1.85	6.08	1.85	6.08	1.85	6.08	2.22	7.28			
Ground Clearance (Stowed/Raised)	(mm/in)	77/26	3.03/1	100/20	100/20	3.94/0.79	100/20	3.94/0.79	100/20	3.94/0.79	100/20	3.94/0.79	105/20	4.1/0.79			
PRODUCTIVITY																	
Max. Platform Occupants	(in/out)	2 / 1		2 / 1		2 / 1		2 / 1		2 / 1		2 / 1		2 / 1			
Platform Capacity	(kg/lbs)	230	510	380	230	510	450	990	320	705	320	705	320	705			
Platform Capacity-Extension Deck	(kg/lbs)	120	265	120	120	265	120	265	120	265	120	265	120	265			
Drive Height		Full Height															
Gradeability-Stowed	(%)	25	25	25	25	25	25	25	25	25	25	25	25	25			
Min. Turning Radius	(m/ft)	1.7	5.57	2.2	2.2	7.2	2.45	8.04	2.45	8.04	2.45	8.04	2.85	9.35			
Raise/Lower Speed	(s)	16 / 28	30 / 34	31 / 40	35 / 40	58 / 48	65 / 60	80 / 65									
Brakes		Rear-wheel Brake															
Drive Mode		4x2	4x2	4x2	4x2	4x2	4x2	4x2	4x2	4x2	4x2	4x2	4x2	4x2			
Tire Type		Solid Non-marking															
Tire Size	(mm/in)	323x100	12.7x3.9	380x130	380x130	15x5.1	380x130	15x5.1	380x130	15x5.1	380x130	15x5.1	380x130	15x5.1			
POWER																	
Power Source		24V 225Ah					24V 240Ah		24V 240Ah		24V 300Ah		24V 300Ah				
HYDRAULIC SYSTEM																	
Hydraulic Oil Capacity	(L/gal)	9.5	2.1	13	13	3.4	16	4.2	23	6.1	23	6.1	25.5	6.7			
WEIGHT																	
Machine Weight(CE/ANSI) (kg/lbs)		1610	3549	2040	2200	4850	2395	5280	2995	6603	2970	6548	3500	7716			

※ Ladder Unfolded / Ladder Folded

STANDARD FEATURES

- Indoor and outdoor rated
- Proportional control
- Foldable guardrail
- Emergency stop device
- Manual brake release
- Emergency descent
- Swing-out component tray
- Pothole guard
- Self-lock entry gate
- Tilt alarm with lift cut-out
- Overload sensing system
- Descent alarm with flashing beacon
- All motions alarm
- Full-height drive
- Intelligent diagnostic system



OPTIONAL

- AC power to platform
- Anti-entrapment protection
- Leak containment tray
- Maintenance-free battery
- Lithium battery
- Voice alarm system
- Telematics



Please contact LGMG or a local dealer for more details.
LGMG reserves the right to change technical data without prior notice. All photos and pictures in this brochure are for promotional purposes only.
This brochure comes into effect in March, 2022.

LINGONG HEAVY MACHINERY CO., LTD.

Address: No. 2676, Kejia Road, Jinan, Shandong, China
Email: sales@lmgm.com.cn Tel: +86 531 6787 9283

LGMG Europe B.V.

Address: Laanweg 16 3208LC Spijkenisse Rotterdam, The Netherlands
Email: sales@lmggeurope.com Tel: +31 850 642 777

LGMG North America Inc.

Address: 1445 Sheffler Dr, Chambersburg, PA, 17201, USA
Email: sales@lmgna.com Tel: +1 833 288 5464

www.lmgglifts.com



RELIABILITY IN ACTION

LGMG GENERATION II SCISSOR LIFT RANGE



www.lmgglifts.com

2 SIMPLE AND RELIABLE

LGMG's electric scissor lifts have established an excellent reputation in both domestic and international markets for their reliable product performance. From indoor operations to challenging outdoor tasks, LGMG can provide a total solution for your job requirement.

With a constant drive to improve and innovate, LGMG continuously looks for ways to enhance the products, and make them more competitive in the market. The second generation of scissor lifts has been improved in various aspects, such as performance and design, which makes them even more convenient to maintain and safer to operate.

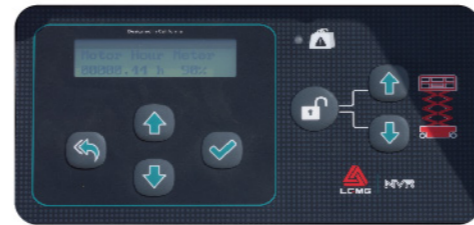


Entire range designed for indoor and outdoor use

- The second-generation scissor lifts are all indoor-outdoor models, allowing two people to work on the platform indoors and one person outdoors, which is more aligned with customer requirements and improves efficiency on work sites.

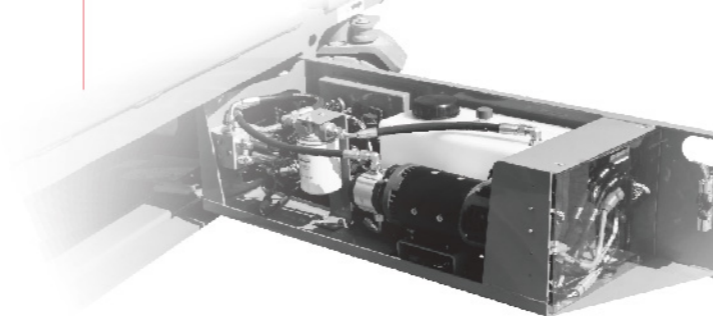
Large lower control panel

- The lower control panel utilizes a large display which makes troubleshooting easier and more convenient. Multi-level menu design, multi-language support, and Bluetooth modules are available as optional.



More convenient to maintain

- Optimized design of internal components for a more rational arrangement and easier maintenance.



Universal key components

- The key components of the second-generation models such as joysticks, drive motors, motor controllers, and chargers are highly interchangeable with existing models on the market, making it easy to replace them quickly and efficiently, to save costs for daily operation and maintenance.



Optional lithium battery for the entire product range

- The full range of second-generation scissor lifts is available with optional lithium batteries, 100% maintenance-free, fast-charging, long-life, and full-power.



ELECTRIC MOTOR DRIVE SCISSOR LIFT



MODELS		S0607EII (S1932EII)		S0608EII	S0808EII (S2632EII)		S0812EII (S2646EII)		S1012EII (S3246EII)		S1212EII (S4046EII)		S1413EII (S4650EII)	
Measurements		Metric	US	Metric	Metric	US	Metric	US	Metric	US	Metric	US	Metric	US
Work Height Max.	(m/ft)	7.8	25.6	7.9	9.8/8	32.2/26.2	10	32.8	12	39.4	14/9.5	46/31.17	15.8/10	51.8/32.8
Ⓐ Platform Height-Raised	(m/ft)	5.8	19	5.9	7.8/6	25.6/19.7	8	26.2	10	32.8	12/7.56	39.4/24.8	13.8/8	45.3/26.2
Ⓑ Platform Length	(m/ft)	1.64	5.36	2.26	2.26	7.4	2.26	7.4	2.26	7.4	2.26	7.4	2.64	8.7
Ⓒ Platform Width	(m/ft)	0.73	2.4	0.79	0.79	2.59	1.12	3.68	1.12	3.68	1.12	3.68	1.12	3.67
Ⓓ Overall Length	(m/ft)	1.86/1.77	6.1/5.8	2.44	2.44	8	2.49	8.17	2.49	8.17	2.49	8.17	2.8	9.2
Ⓔ Overall Width	(m/ft)	0.79	2.59	0.83	0.83	2.7	1.18	3.87	1.18	3.87	1.18	3.87	1.3	4.3
Ⓕ Overall Height-Guardrails Up	(m/ft)	2.16	7.07	2.15	2.28	7.48	2.36	7.74	2.49	8.17	2.63	8.63	2.74	9
Ⓖ Overall Height-Guardrails Down	(m/ft)	1.81	5.93	1.79	1.9	6.23	1.55	5.09	1.68	5.5	1.8	5.9	1.94	6.4
Ⓗ Extension Deck	(m/ft)	0.9	3	0.9	0.9	3	0.9	3	0.9	3	0.9	3	0.9	3
Ⓘ Wheelbase	(m/ft)	1.35	4.4	1.85	1.85	6.08	1.85	6.08	1.85	6.08	1.85	6.08	2.22	7.28
Ground Clearance (Stowed/Raised)	(mm/in)	77/26	3.03/1	100/20	100/20	3.94/0.79	100/20	3.94/0.79	100/20	3.94/0.79	100/20	3.94/0.79	105/20	4.1/0.79
PRODUCTIVITY														
Max. Platform Occupants	(in/out)	2 / 1		2 / 1	2 / 1		2 / 1		2 / 1		2 / 1		2 / 1	
Platform Capacity	(kg/lbs)	230	510	380	230	510	450	990	320	705	320	705	320	705
Platform Capacity-Extension Deck	(kg/lbs)	120	265	120	120	265	120	265	120	265	120	265	120	265
Drive Height		Full Height												
Gradeability-Stowed	(%)	25		25	25		25		25		25		25	
Min. Turning Radius	(m/ft)	1.7	5.57	2.2	2.2	7.2	2.45	8.04	2.45	8.04	2.45	8.04	2.85	9.35
Raise/Lower Speed	(s)	16 / 28		30 / 34	31 / 40		35 / 40		58 / 48		65 / 60		80 / 65	
Brakes		Front-wheel Brake												
Drive Mode		4x2		4x2	4x2		4x2		4x2		4x2		4x2	
Tire Type		Solid Non-marking												
Tire Size	(mm/in)	323x100	12.7x3.9	380x130	380x130	15x5.1	380x130	15x5.1	380x130	15x5.1	380x130	15x5.1	380x130	15x5.1
POWER														
Power Source		24V DC 225Ah					24V DC 240Ah		24V DC 240Ah		24V DC 300Ah		24V DC 300Ah	
HYDRAULIC SYSTEM														
Hydraulic Oil Capacity	(L/gal)	9.5	2.1	13	13	3.4	16	4.2	23	6.1	23	6.1	25.5	6.7
WEIGHT														
Machine Weight(CE/ANSI) (kg/lbs)		1610	3549	2040	2200	4850	2318	5110	2995	6603	2970	6548	3500	7716

※ Ladder Unfolded / Ladder Folded