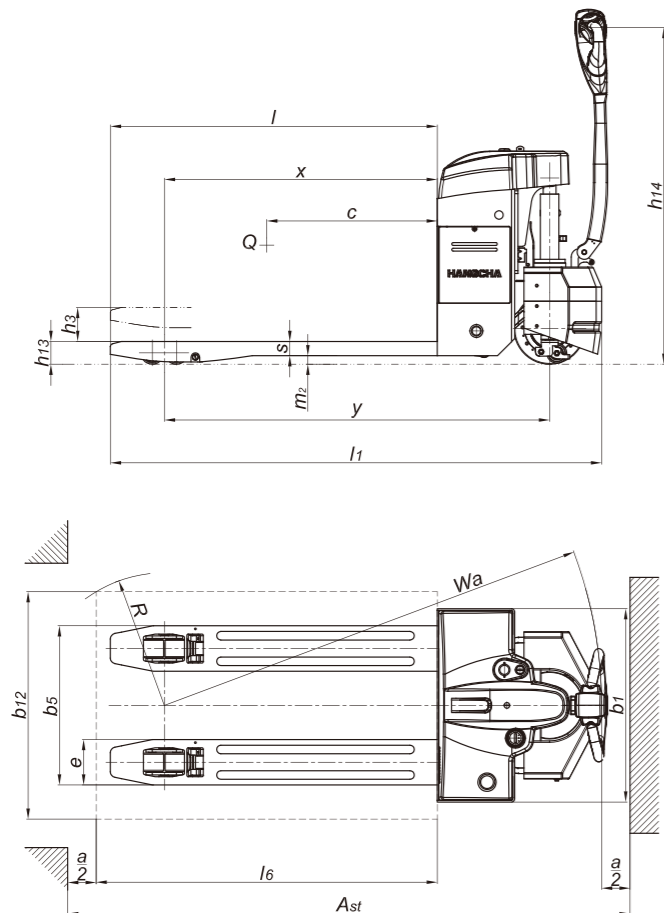


## A Series Mini Pallet Truck specification

|                     |             |   |                        |                       |
|---------------------|-------------|---|------------------------|-----------------------|
| Distinguishing mark | 1.1         | Manufacturer                                    | HANGCHA GROUP CO.,LTD. |                       |
|                     | 1.2         | Manufacturer's type designation                 | CBD20-AMC1             |                       |
|                     | 1.4         | Operator type                                   | Pedestrian             |                       |
|                     | 1.5         | Rated load                                      | Q (kg)                 | 2000                  |
|                     | 1.6         | Load centre distance                            | c (mm)                 | 600                   |
|                     | 1.8         | Load distance, centre of drive axle to fork     | x (mm)                 | 960                   |
|                     | 1.9         | Wheelbase                                       | y (mm)                 | 1299 <sup>1)</sup>    |
| Weight              | 2.1         | Service Weight(Including battery)               | kg                     | 340                   |
|                     |             | Battery weight                                  | kg                     | 80                    |
| Tyres, chassis      | 3.1         | Tyres   | PU                     |                       |
|                     | 3.2         | Tyre size,front                                 | mm                     | φ250x80               |
|                     | 3.3         | Tyre size, rear                                 | mm                     | φ80x64                |
|                     | 3.4         | Additional wheel (dimensions)                   | mm                     | φ70x40                |
|                     | 3.5         | Wheels, number front / rear (x = driven wheels) |                        | 1x+2/4                |
|                     | 3.6         | Tread, front                                    | b <sub>10</sub> (mm)   | 432                   |
| 3.7                 | Tread, rear | b <sub>11</sub> (mm)                            | 400                    |                       |
| Dimensions          | 4.4         | Lift  | h <sub>3</sub> (mm)    | 120                   |
|                     | 4.15        | Height,lowered                                  | h <sub>13</sub> (mm)   | 80                    |
|                     | 4.19        | Overall length                                  | l <sub>1</sub> (mm)    | 1728                  |
|                     | 4.21        | Overall width                                   | b <sub>1</sub> (mm)    | 680                   |
|                     | 4.22        | Fork dimensions                                 | s/e/l (mm)             | 50/160/1150           |
|                     | 4.25        | Distance between fork-arms                      | b <sub>5</sub> (mm)    | 560                   |
|                     | 4.32        | Ground clearance, centre of wheelbase           | m <sub>2</sub> (mm)    | 30                    |
|                     | 4.34.1      | Aisle width for pallets 1000 x 1200 crossways   | A <sub>st</sub> (mm)   | 1955 <sup>2)</sup> 2) |
|                     | 4.34.2      | Aisle width for pallets 800 x 1200 lengthways   | A <sub>st</sub> (mm)   | 2005 <sup>3)</sup> 3) |
|                     | 4.35        | Turning radius                                  | W <sub>a</sub> (mm)    | 1482 <sup>2)</sup>    |
| Performance data    | 5.1         | Travel speed,laden/unladen                      | km/h                   | 4/5.5                 |
|                     | 5.2         | Lift speed,laden/unladen                        | m/s                    | 27/40                 |
|                     | 5.3         | Lowering speed,laden/unladen                    | m/s                    | 42/38                 |
|                     | 5.8         | Max Gradeability,laden/unladen                  | %                      | 8/16                  |
| Electric engine     | 6.1         | Drive motor rating                              | kW                     | 0.8                   |
|                     | 6.2         | Lift motor rating                               | kW                     | 0.8                   |
|                     | 6.4         | Battery voltage,nominal capacity                | V/Ah                   | 4x12/50               |
|                     | 8.1         | Type of drive control                           |                        | Curtis DC             |

Note: 1) Load section lowered+56mm; 2) VDI 2198:+361mm; 3) VDI 2198:+201mm.



ZHEJIANG HANGCHA IMP. & EXP. CO., LTD.

Factory site: 666 Xiangfu Road,  
Hangzhou, Zhejiang, China (311305)

Tel: +86-571-88926735 88926755  
Fax: +86-571-88926789 88132890

sales@hcforklift.com  
www.hcforklift.com



Follow us on  
Facebook



Follow us on  
YouTube



Follow us on  
WeChat



ISO14001:2015



ISO9001:2015



HANGCHA trucks conform to the European Safety Requirements.

HANGCHA GROUP CO., LTD. reserves the right to make any changes without notice concerning colors, equipment, or specifications detailed in this brochure, or to discontinue individual models. The colors of trucks, delivered may differ slightly from those in brochures.

2020 VERSION / COPYRIGHT 2020/03



## A Series Mini Pallet Truck

with capacities of 2,000kg

The World of Hangcha



## A Series Mini Pallet Truck

The A Series 2.0t Mini Pallet Truck is a new product developed by Hangcha for warehouse and logistics applications. With the state-of-the-art permanent magnet brushless drive technology, and the 48V system, features advanced performance, comfortable operation, safety and reliability, and low maintenance cost, and is an ideal vehicle for loading, unloading, and handling palletized goods in warehouses, supermarkets, workshops and homes.

**Easy/  
Efficiency/  
Economy**



### Appearance

- / The A Series Pallet Truck is completed with specialized industrial design of appearance. The entire truck features smooth lines and affluent sense of movement, and compact profile, with full consideration being given to ergonomics, in accord with the latest appearance design trend.
- / It is manufactured with a large number of steel plate stamping and injection molding technologies, featuring solidness, durability, and high grade, in compliance with environmental requirements.

### Safety

- / Release braking, reverse braking, and three types of emergency braking can ensure safety of traveling;
- / Anti-sliding function on slope can ensure safety of operation.
- / The emergency reversing button at top of the tiller can avoid the driver from injury effectively in case of emergency during backward driving of the truck;
- / Dual protection with electronic lifting limit and smart controller limit of standard configuration avoids impact when fork is lifted to top end of mast, offers effective protection to working motor, and guarantees safety of goods.

### Comfort

- / The REMA tiller of latest development is simple but reliable and beautiful, and all operations can be done easily with one hand.
- / Truck structure of optimized design guarantees terrific operating view of the truck.
- / Built-in charger and rubber enclosed maintenance-free battery are very convenient for use.
- / With small sizes, the operation is easy, flexible and extremely convenient, and the upright-tiller running function allows it to work within confined space, such as container.
- / Standard height of fork is 80mm, and guiding device is added to facilitate access and exit of pallets (including closed-deck, American, European double-deck pallets).
- / With integrated battery assembly, and nylon guiding device is added at base plate for easy battery replaced by laterally moving the device.

### Reliability

- / The three-point support design is applied, and side support system and elastic auxiliary wheels are provided to guarantee safety and reliability.
- / With optimized design, the lifting rod is steady and reliable, bearing small force.
- / All plug connectors are imported and waterproof, and all wires and cables have reliable protection, which increases reliability of electrical system significantly.
- / The cutting-edge hydraulic power unit features low noise, small vibration, and stable and reliable rising and declining.
- / Stamping molded fork has higher strength and impact resistance, with even higher working efficiency by working together with the fork-tip guiding function.
- / The interlock switch is of non-contact proximity switch, with extremely high reliability.
- / One-piece iron wheel hood offers good protection to truck body against external impact.

### High Performance

- / The load capacity is 2.0t, which can satisfy the handling demand of most customers, with 6h battery life.
- / With stronger power, full-load gradeability of the truck can reach 8%.
- / It is equipped with permanent magnet brushless drive motor, with excellent performance, and a new 48V power supply system, with extremely low heat generation.
- / The latest CURTIS permanent magnet brushless control system offers excellent, high-efficiency, and stable control performance.
- / Regenerative brake of the truck prevents it from sliding on a slope.
- / Controllers, tiller, switches, plug connectors, battery condition meter, timer and other important parts are all of renowned domestic and abroad brands.

### Maintenance

- / As standard configuration, built-in charger and maintenance-free battery require no maintenance work.
- / Battery indicator will prompt the user to charge the battery timely.
- / Engine cover can be opened fully, and all components and parts are clear at a glance, which is very convenient for maintenance of the entire machine.
- / All rotating shafts are equipped with lubricating sleeve and oil cup, which is convenient for maintenance and has a long service life.

### Standard specification

- / 48V permanent magnet brushless drive motor
- / CURTIS permanent magnet brushless controller
- / VIBO hydraulic power unit
- / Emergency power off switch
- / Battery indicator
- / PU wheels
- / Fork length 1150mm
- / 560mm outer distance between forks
- / 80mm distance from fork surface to ground
- / Electronic lifting limit
- / Non-contact interlock switch
- / REMA multi-function tiller
- / Horn
- / Maintenance-free gel battery
- / Built-in charger
- / Upright-tiller creep speed running
- / Elastic additional wheels
- / Tandem load wheels

### Options

- / Various fork lengths
- / Various outer distances between forks
- / Single load wheel
- / Coded lock
- / 75mm ground clearance



Rema tiller



Additional wheels are equipped to have better stability



Modern outline design



Battery side roll out